

TECHNICAL DATA

VT03

1 μ m RADFET

in 6L SOT-23 Plastic package

VT03 Description and Pin-Out

The VT03 is Varadis 1 μ m RADFET chip packaged in a plastic SOT-23 six lead package.

The part consists of a single RADFET and a diode (see Figure 1 and Table 1). The RADFETs are specially engineered p-channel MOSFETs with a gate oxide thickness of approximately 1 μ m and W/L of 300 μ m/50 μ m. The RADFET has individual gate and drain terminals, while the source and bulk are common and connected together; this is also the diode bulk contact.

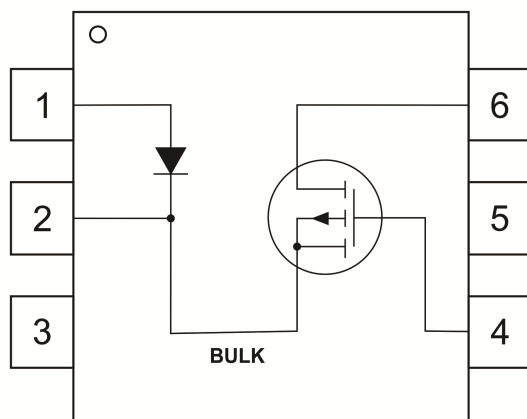


Figure 1: VT03 pin-out drawing.

Table 1: VT03 pin-out description.

Pin Number	Description
1	Diode anode
2	Source/bulk (common)
3	Not Connected
4	Gate
5	Not Connected
6	Drain

Maximum Ratings

Maximum ratings of the VT03 RADFET are given in Table 2. Please refer to Figure 2.

Table 2: Maximum ratings of the VT03. Measured at room temperature.

Characteristics	Symbol	Specification	Unit	Remarks
Source-Drain Current	I_{SD}	+1	mA	Continuous
Source-Drain Voltage	V_{SD}	+25	V	
Gate-Source Voltage	V_{GS}	± 50	V	
Gate-Drain Voltage	V_{GD}	± 50	V	

Modes of Operation

Irradiation Mode (Sense Mode)

In this mode of operation, it is recommended that all terminals of the RADFET are connected to ground. For alternative biasing options, contact the manufacturer.

Read-Out Mode (Accumulated Radiation Dose Read-Out)

The RADFET can be read at arbitrary intervals, depending on the application. The period between readings can be from seconds to days or even months. The circuit used to read out the RADFET (Reader Circuit - RC) is shown in Figure 2 with connection configuration in Table 3.

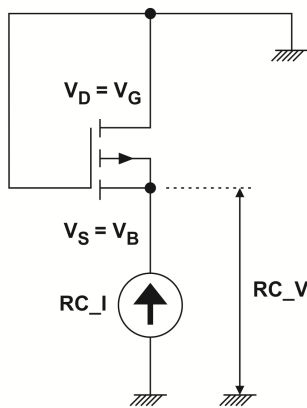


Table 3: Connections in Read-Out mode.

Terminal	Bias
S=B	Current is forced (RC_I) Voltage reading is taken (RC_V)
G=D	0V (common)

Figure 2: Reader Circuit (RC) configuration.

Current RC_I is forced into the RADFET, connected in RC configuration (Figure 2). The voltage at the source (RC_V) is measured; this voltage is called “RC threshold voltage”. Typical I-V curve for the un-irradiated device in this configuration is shown in Figure 3. In principle, any read-out current (RC_I) value above 5 μ A can be chosen, as long as the value is kept unchanged after the start of radiation exposure. For good temperature compensation, the RC_I value of 11.0 μ A is recommended.

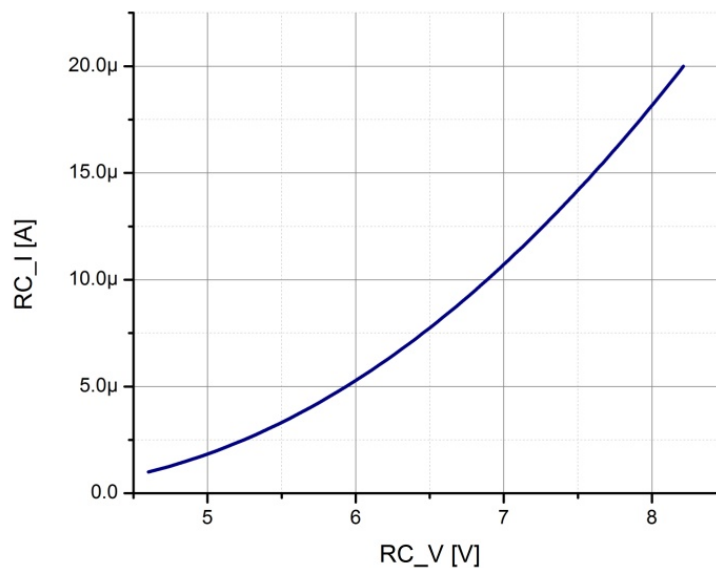


Figure 3: Typical Reader Circuit (RC) I-V curve, pre-irradiation. Measured at room temperature.

Electrical Parameters

The most important electrical parameter of un-irradiated RADFET is RC threshold voltage (RC_V). Specification for RC_V is given in Table 4. Results of RC_V measurements prior to shipment are included in documentation that comes with ordered parts. Typically, the range of RC_V of delivered parts is significantly tighter than in the specification.

Table 4: Specification for RC threshold voltage. Measured at room temperature.

Parameter	Symbol	Test Circuit and Conditions	Limits		Unit
			Min	Max	
RC Threshold Voltage	RC_V	Figure 2 and Table 3 RC_I = 11.0 μ A	5	9	V

Calibration Data

The calibration curve for the RADFET shows evolution of ΔV (the change in RC threshold voltage with reference to its pre-irradiation value) with dose. Note that a specific calibration curve, obtained using the Co-60 source, is associated with each RADFET production batch. The calibration curve, together with analytical equation and fitting coefficients, will be provided with the supplied parts. For illustration, typical calibration curve is shown in Figure 4.

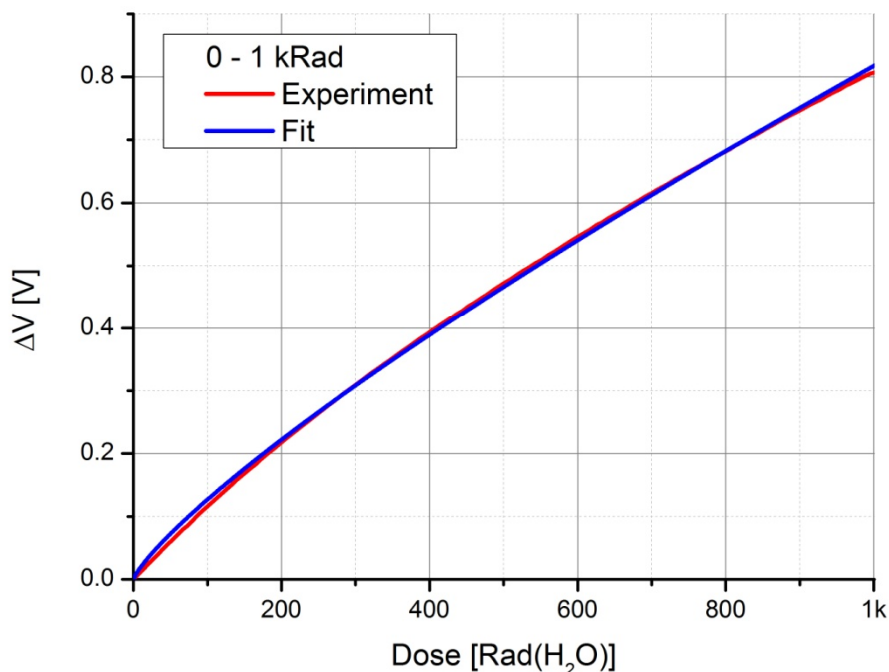


Figure 4: Typical calibration curve indicating change in RC_V during irradiation. Irradiation at room temperature with Co-60 gamma source, dose rate \sim 30 Gy/h (3 krad/h). Voltage measurements performed at room temperature every 10 s using current pulses of 250 ms duration. All terminals grounded between voltage measurements.

Package Information

VT03 package specifications are given in Table 5, and package diagram in Figure 5.

Table 5: VT03 package specifications.

Description	Specification
Package Type	Six-pin plastic SOT-23 package
Package Dimensions (L x W x H)	2.90 mm x 2.80 mm x 1.10 mm (see Figure 5)

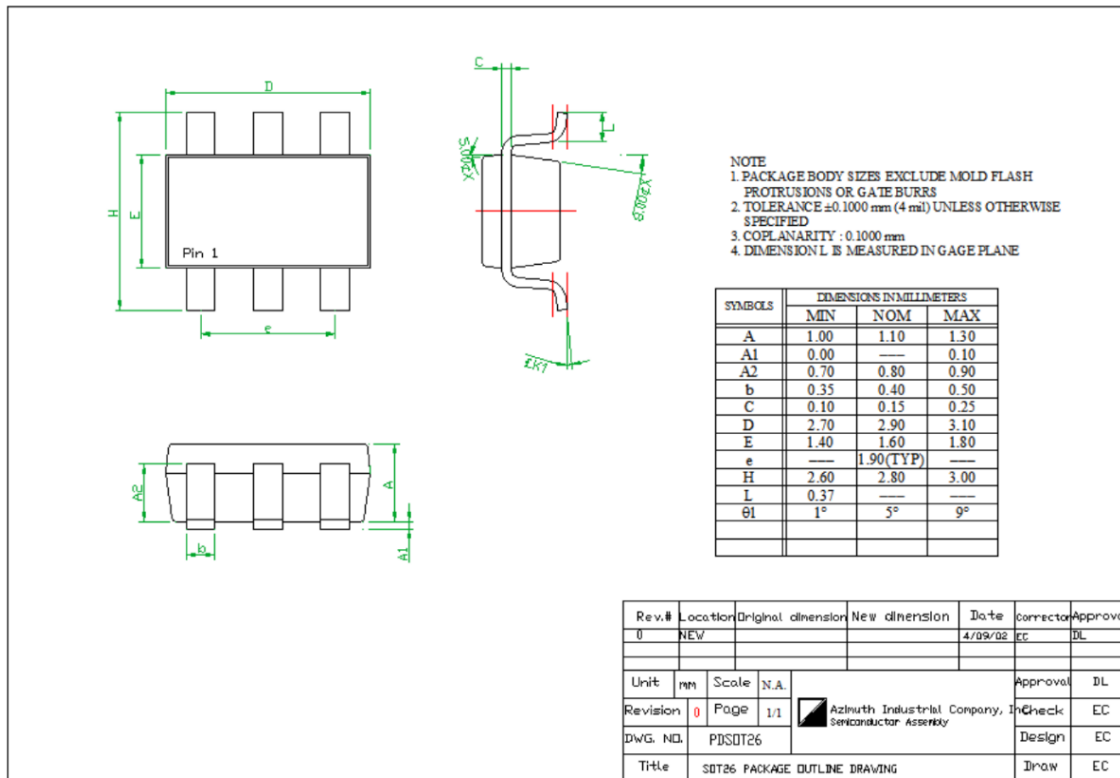


Figure 5: VT03 package diagram.

Recommended dimensions for solder pad layout are given in Figure 6.

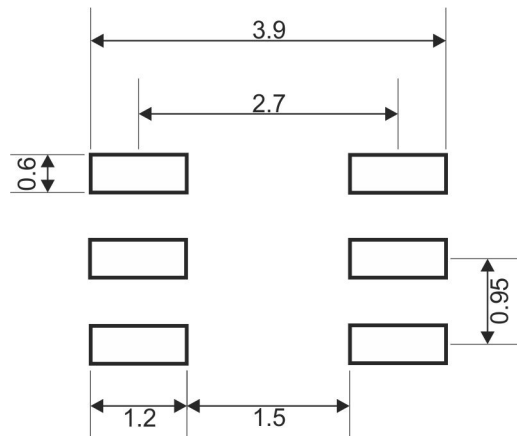


Figure 6: Recommended solder pad layout. All dimensions are in millimeters. Note the drawing is not to scale. Dimensions are inclusive of plating.

Handling

Our RADFETs undergo 100% electrical test and visual inspection immediately prior to shipment. Therefore all parts should reach the customer in excellent condition. To ensure that the RADFETs remain in this condition, please handle the parts as carefully as possible and observe standard precautions related to ESD sensitive devices.

Soldering

Our RADFETs are hand soldered onto printed circuit boards prior to calibration in the radiation field. It is important that the RADFET is the last component to be hand soldered onto a circuit board. If different soldering profile is required, please contact us at support@varadis.com.

Notes

We calibrate our standard VT03 products at room temperature using a Co-60 gamma-ray source. We calculate absorbed dose of radiation with reference to H₂O. Irradiation is performed in a single event at the dose rate of ~30 Gy/hour (3 krad/hour) and includes the dose range from 0.1–10 Gy (10 rad – 1 krad). The voltage measurements are recorded using a 250 millisecond width current pulse. There is a 10 second period between voltage measurements when all terminals are grounded.

Customers whose requirements include conditions significantly different from the above should contact support@varadis.com to discuss the optimum way to implement the RADFETs for their specific applications.

The VT03 has a large dynamic range, from 3 mGy (0.3 rad) to 10 Gy (1 krad) and beyond (with additional calibration).

While the supplied calibration curve covers doses from 0.1–10 Gy, other measurements at room temperature show that lower doses, down to 3 mGy, can be detected. The lower the minimum dose required by the customer, the more accurate must be the RADFET temperature compensation and read-out electronics. Please contact support@varadis.com for further details if your application includes lower dose range.

Regarding the high end of the dose range, VT03 can measure doses higher than 10 Gy (1 krad). However, the sensitivity decreases with dose and it depends on the actual application requirements whether this sensitivity loss is acceptable. As VT03 comes calibrated up to 10 Gy (1 krad), additional calibration is needed for measurements beyond this limit.