

TECHNICAL DATA

VT04

1 μ m RADFET

in 8L Side Braze Ceramic package

For doses between 3mGy (0.3rad) and 10Gy (1krad)

VT04 Description and Pin-Out

The VT04 is Varadis 1 μ m RADFET chip packaged in a ceramic 8 lead package. The part consists of two RADFETs and one diode (see Figure 1 and Table 1). The RADFETs are with a W/L of 300 μ m/50 μ m (R1 – with all four terminals accessible, and R2 with gate/drain as well as source/bulk tied together). The cathode of the diode D is tied to the bulk of the RADFETs, while the anode is accessible via pin 9.

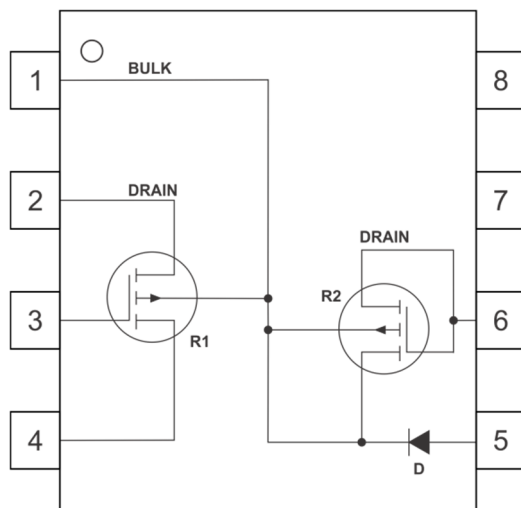


Figure 1: VT04 pin-out drawing.

Table 1: VT04 pin-out description.

Pin Number	Description
1	Bulk (common)
2	Drain of R1
3	Gate of R1
4	Source of R1
5	Diode anode ¹
6	Gate/Drain of R2
7	No Connection
8	No Connection

Maximum Ratings

Maximum ratings of the VT04 RADFET are given in Table 2. Please refer to Figure 2.

Table 2: Maximum ratings of the VT04. Measured at room temperature.

Characteristics	Symbol	Specification	Unit	Remarks
Source-Drain Current	I_{SD}	+1	mA	Continuous
Source-Drain Voltage	V_{SD}	+25	V	
Gate-Source Voltage	V_{GS}	± 50	V	
Gate-Drain Voltage	V_{GD}	± 50	V	
Temperature Endurance Range	T_{ER}	-55 to +125	$^{\circ}$ C	
Maximum sensitivity	S_{MAX}	1.35	mV/cGy	

¹ More information about the purpose of the on-chip diode you can find in the notes section

Modes of Operation

Irradiation Mode (Sense Mode)

In this mode of operation, it is recommended that all terminals of the RADFET are connected to ground. For alternative biasing options, contact the manufacturer.

Read-Out Mode (Accumulated Radiation Dose Read-Out)

The RADFET can be read at arbitrary intervals, depending on the application. The period between readings can be from seconds to days or even months. The circuit used to read out the RADFET (Reader Circuit - RC) is shown in Figure 2 with connection configuration in Table 3.

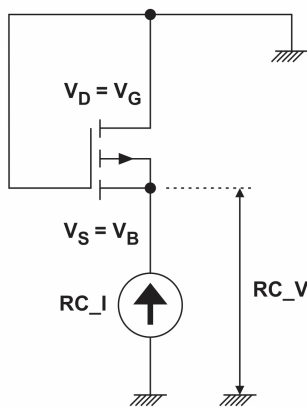


Table 3: Connections in Read-Out mode.

Terminal	Bias
S=B	Current is forced (RC_I) Voltage reading is taken (RC_V)
G=D	0V (common)

Figure 2: Reader Circuit (RC) configuration.

Current RC_I is forced into the RADFET, connected in RC configuration (Figure 2). The voltage at the source (RC_V) is measured; this voltage is called “RC threshold voltage”. Typical I-V curves at different temperatures for un-irradiated device in this configuration are shown in Figure 3. In principle, any read-out current (RC_I) value above $5\ \mu\text{A}$ can be chosen, if the value is kept unchanged after the start of radiation exposure. For best temperature compensation, the RC_I value of $12.5\ \mu\text{A}$ is recommended where the temperature influence is minimal.

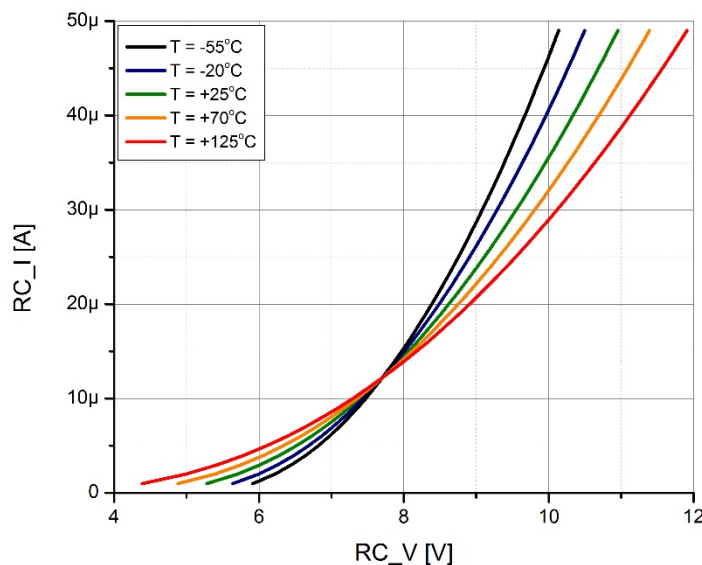


Figure 3: Typical Reader Circuit (RC) I-V curves, pre-irradiation. Measured at different temperatures.

Electrical Parameters

The most important electrical parameter of un-irradiated RADFET is RC threshold voltage (RC_V). Specification for RC_V is given in Table 4. Results of RC_V measurements prior to shipment are included in documentation that comes with ordered parts. Typically, the range of RC_V of delivered parts is significantly tighter than in the specification.

Table 4: Specification for RC threshold voltage. Measured at room temperature.

Parameter	Symbol	Test Circuit and Conditions	Limits		Unit
			Min	Max	
RC Threshold Voltage	RC_V	Figure 2 and Table 3 RC_I = 12.5 μ A	5	9	V

Calibration Data

For more info please contact us at support@varadis.com

Package Information

VT04 package specifications are given in Table 5, and package diagram in Figure 5.

Table 5: VT04 package specifications.

Description	Specification
Package Type	8-pin side braze ceramic package with kovar lid
Package Dimensions (L x W x H)	10.21mm x 7.87mm x 3.05mm (see Figure 5)

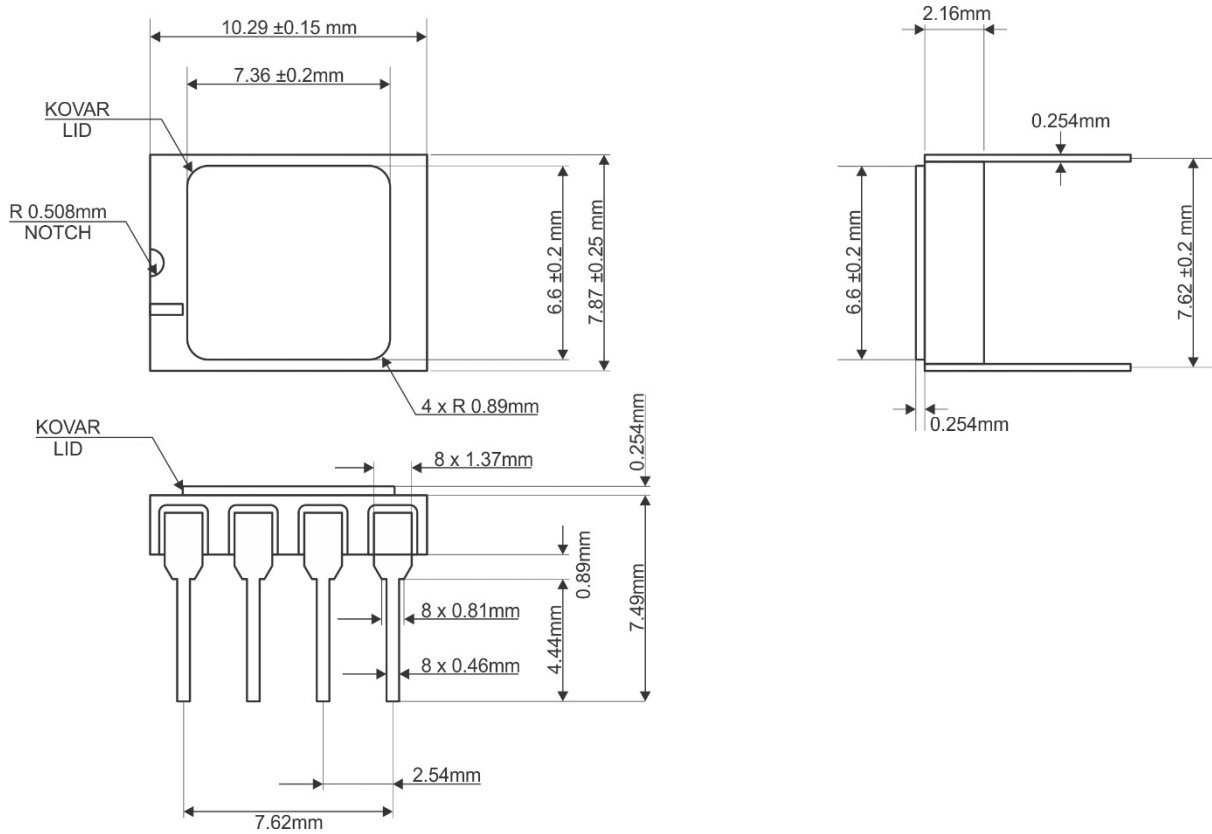


Figure 5: VT04 package diagram.

Recommended dimensions for solder pad layout are given in Figure 6.

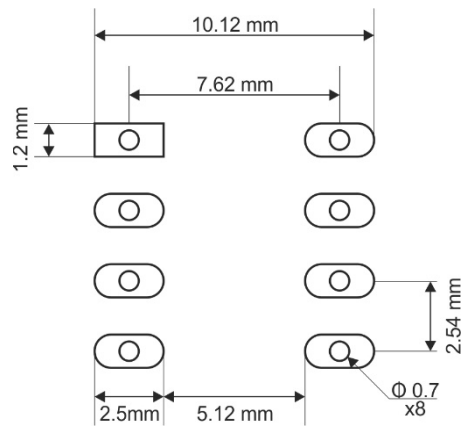


Figure 6: Recommended solder pad layout. Dimensions are inclusive of plating.

Handling

Our RADFETs undergo 100% electrical test and visual inspection immediately prior to shipment. Therefore, all parts should reach the customer in excellent condition. To ensure that the RADFETs remain in this condition, please handle the parts as carefully as possible and observe standard precautions related to ESD sensitive devices.

Soldering

For our RADFETs we strongly recommend hand soldering onto printed circuit boards prior to exposure in radiation field. The temperature used in the soldering should be as low as possible using low-temperature melting point solder alloys. It is a good practice to solder the pins individually with 10sec break between pins, this will prevent overheating of the RADFET die and allow the heat generated from the soldering to dissipate.

It is important that the RADFET is the last component to be soldered onto a circuit board. If different soldering method is required, please contact us at support@varadis.com.

We usually calibrate our ceramic packaged components using test fixtures without soldering onto printed circuit boards, if soldering is required by the customer, please follow the above instructions.

Notes

Customers whose requirements include conditions significantly different from the above should contact support@varadis.com to discuss the optimum way to implement the RADFETs for their specific applications.

The on-chip diode is connected between pin 5 (anode) and pin 1 (cathode). The diode is not sensitive to ionizing radiation in the way the RADFETs are. The diode can be used as an indicator of the chip temperature during irradiation (sense mode) only.

During RADFET irradiation (sense mode) the diode can be forward biased by forcing positive current into pin1 and the diode voltage obtained at the same pin. It is recommended that after diode forward bias, pin1 is connected back to the ground or remain floating.

During RADFET read-out mode (accumulated radiation dose read-out) the diode **must not** be forward biased as it will influence the RADFET readout voltage and disturb the measurement.

For diode response over a temperature range, and other queries related to this document please contact support@varadis.com.